

LITTLE FREE LIBRARY

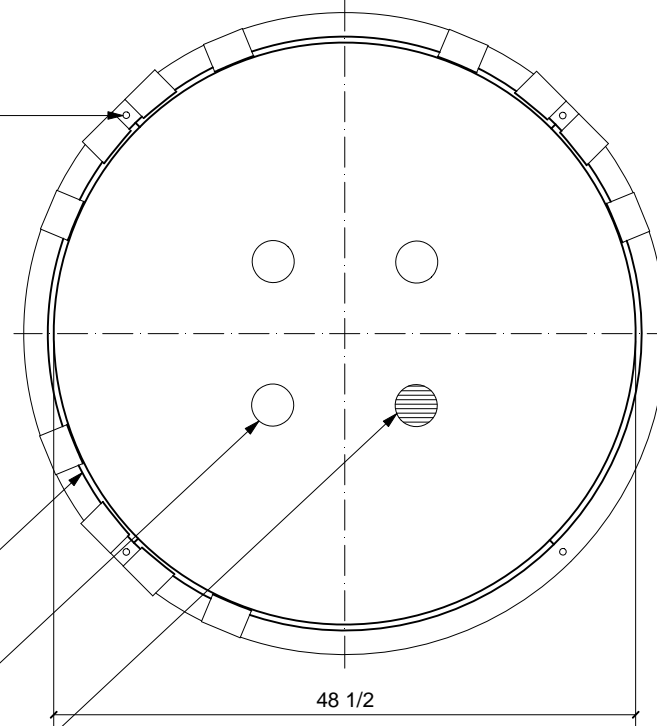
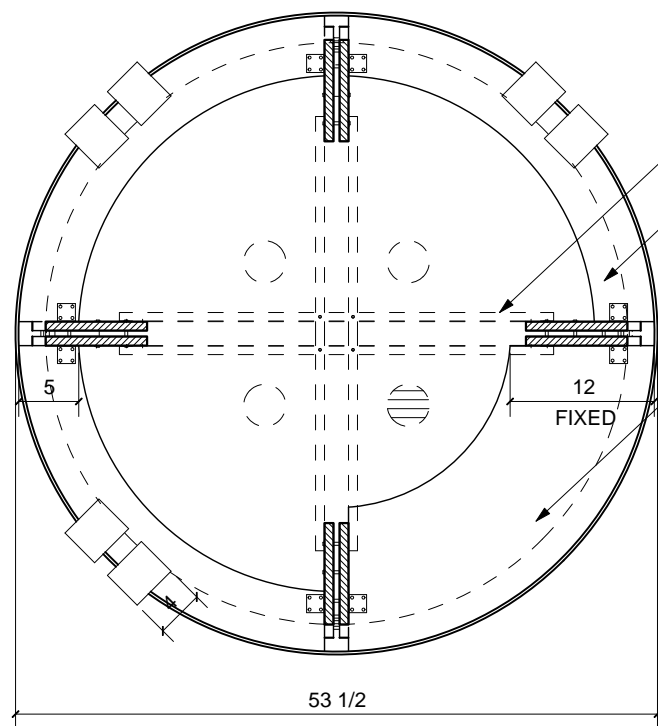
BY

STEREOTANK



PLAN

TOP VIEW



MATERIAL LIST

PLASTIC TANK
 Manuf: Desert Plastics / Model: 200 Gallon Open Top Stock Tank /
 Size: 55"D x 26"H aprox. / Bright Color. If this tank is not available find equivalent,
 see minimum dimensions to maintain in section and elevation.

PLYWOOD
 (3) 4' W x 8' L x 3/4" Thick ply for exterior or coat at least 3 times
 w/ exterior sealant

PVC PIPES
 (16) 4" L x 3-1/2" D (total length = 64")

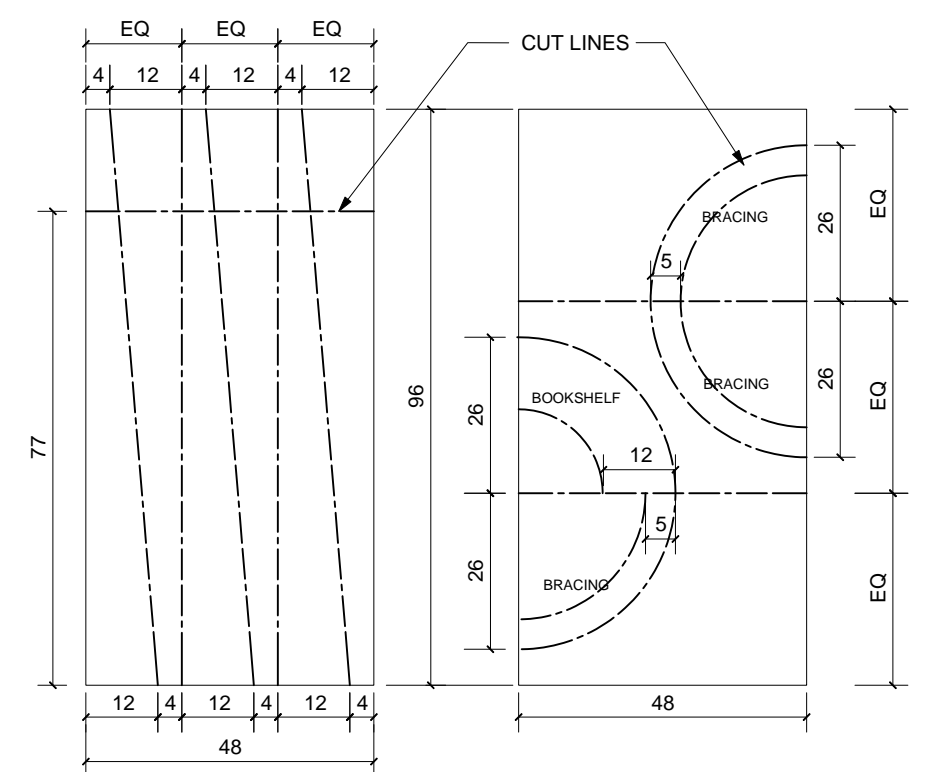
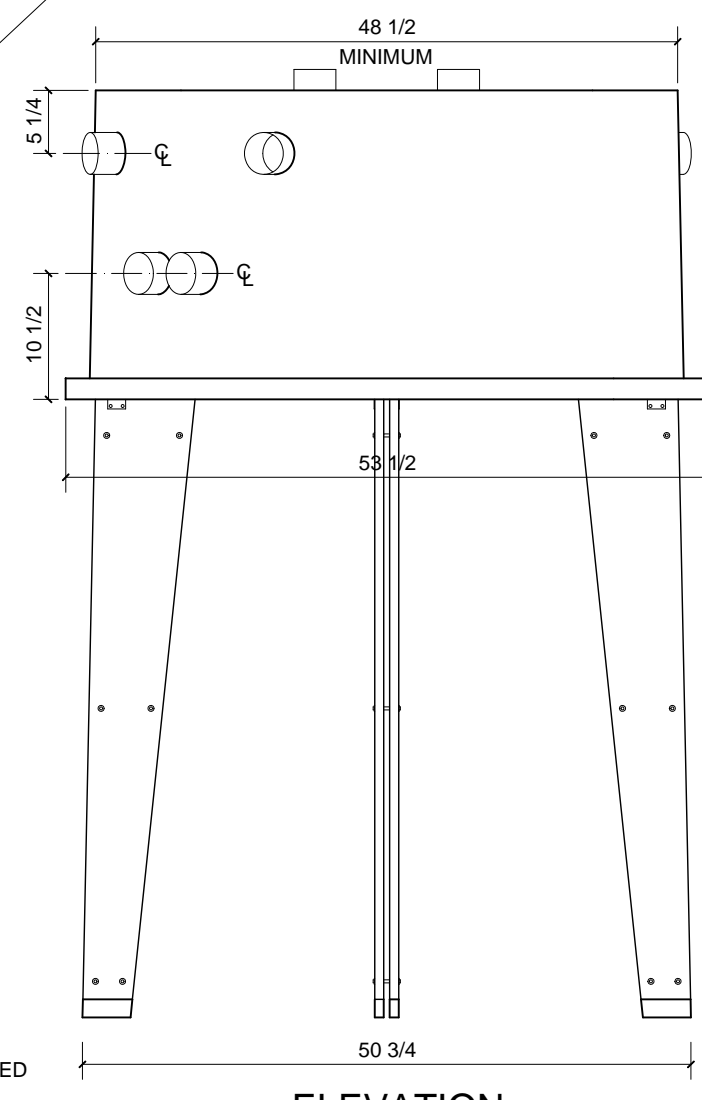
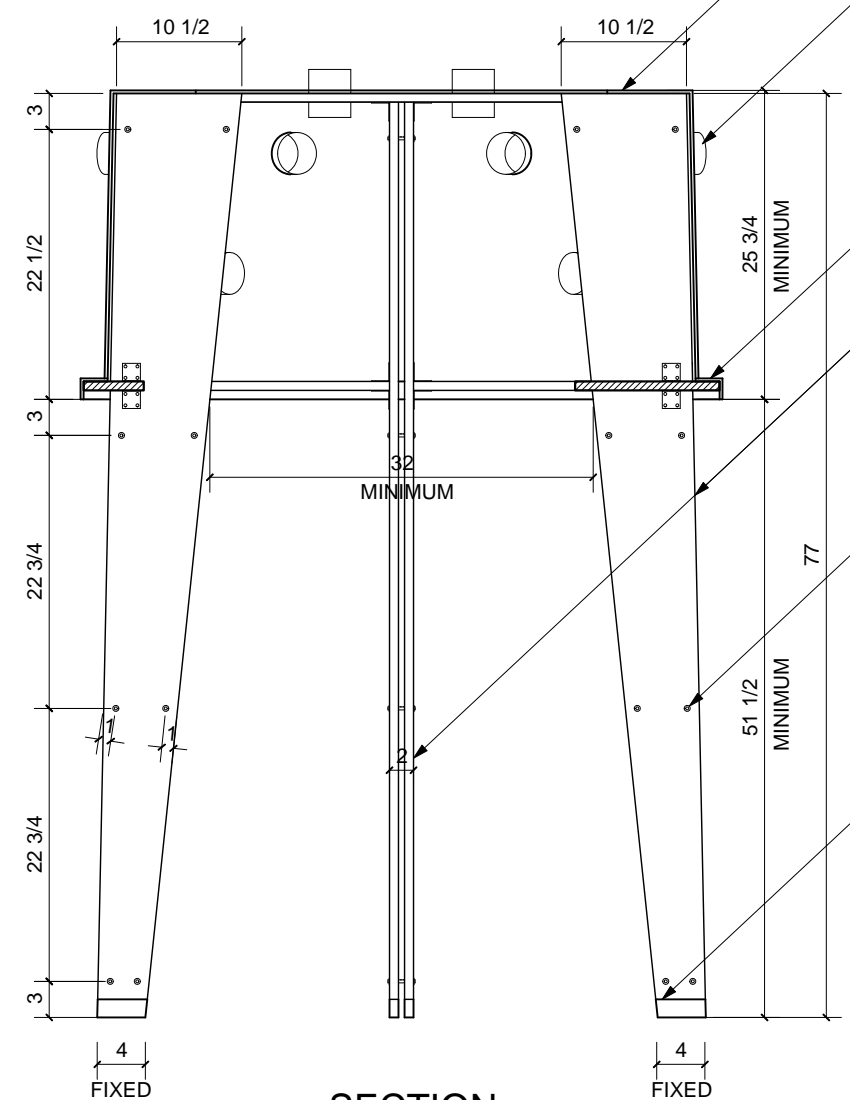
SOLAR LIGHT
 (1) Portfolio landscape path light stainless steel finish (Remove base)
 can be found at Lowes

VINYL DECAL
 LITTLE FREE LIBRARY: 2" high 24" long aprox
 TAKE A BOOK RETURN A BOOK: 1" high

HARDWARE
 (40) 1/4" x 2-1/2" hex bolts
 (80) nuts
 (80) 5/16" flat washers
 (24) angles + wood screws

(4) 3/4" aluminum angle cross bracing + (16) wood screws
 (4) 1/2" long bolts to tie angles together at intersections

(4) seal wood screws (to fasten plastic tank to wood frame)



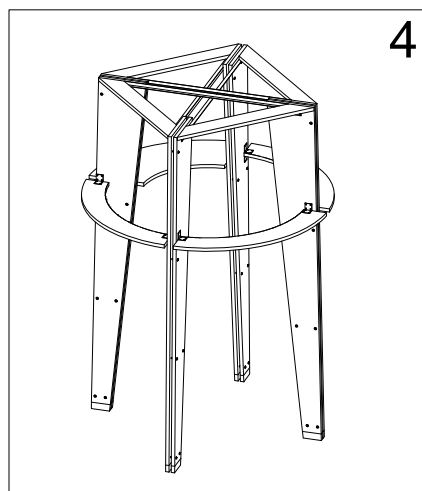
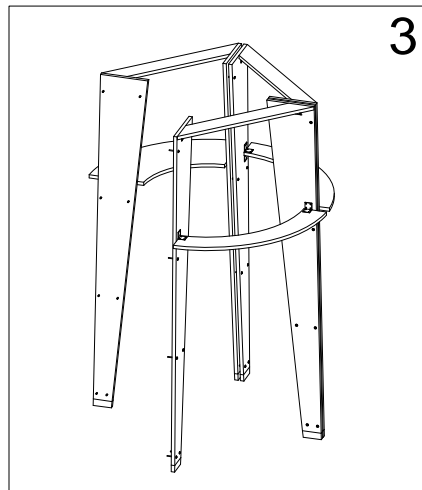
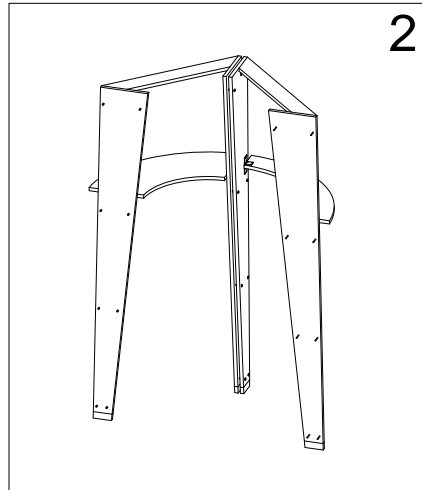
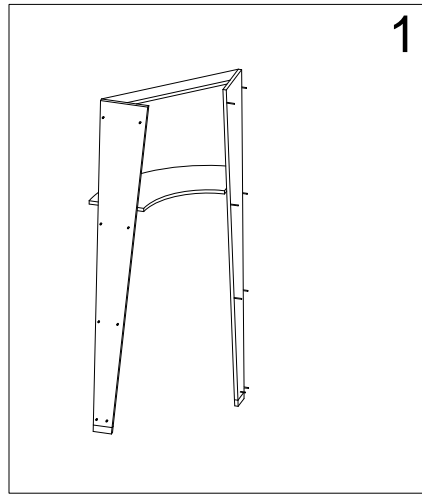
PLY CUTS DIAGRAM FOR LEGS /
 TWO SHEETS REQUIRED
 SCALE: 3/8"=1'-0"

PLY CUTS DIAGRAM FOR BRACING
 & BOOKSHELF / ONE SHEET REQUIRED
 SCALE: 3/8"=1'-0"

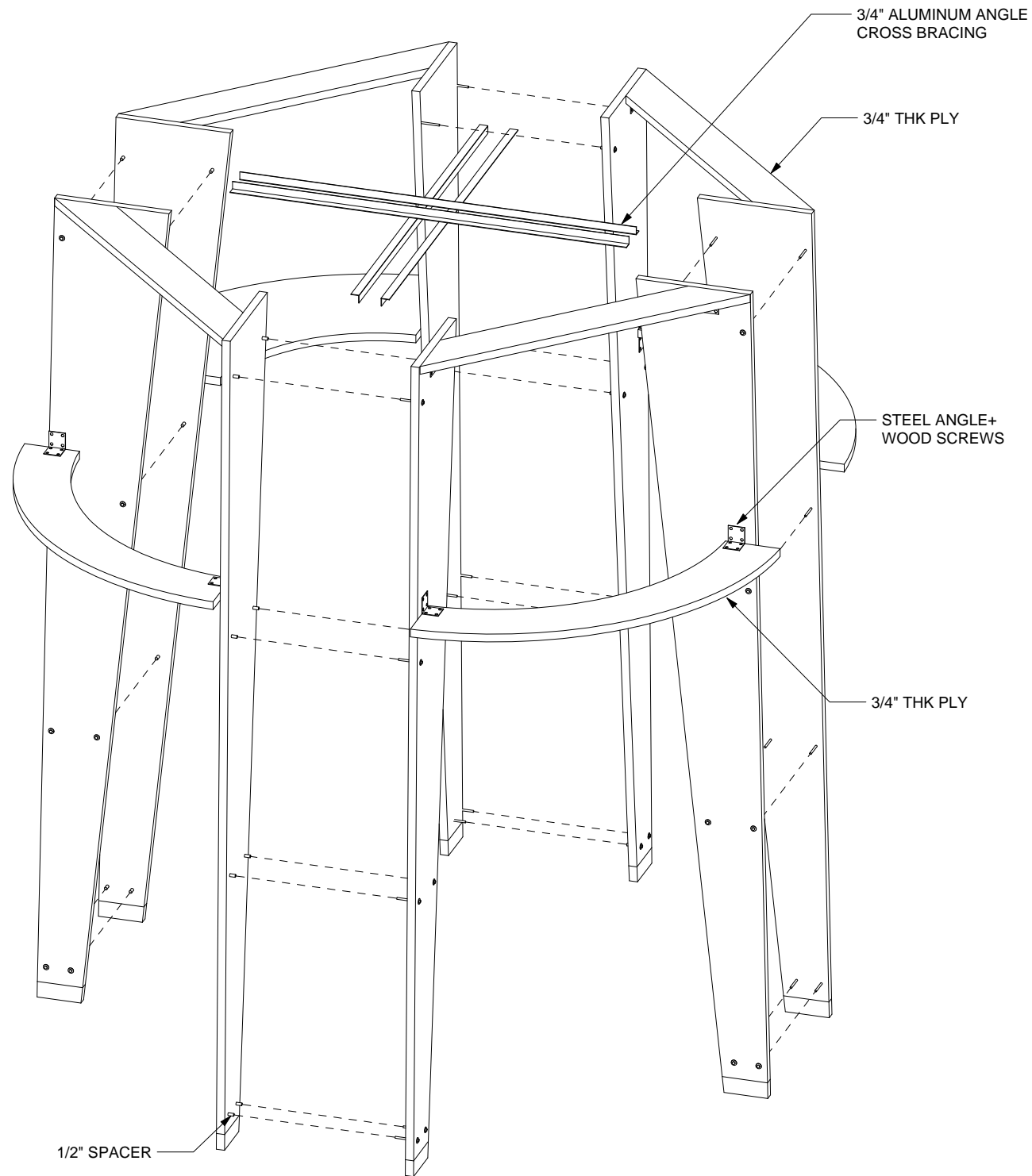
NOTES:
 1. ALL DIMENSIONS ARE
 IN INCHES
 2. IF DIFFERENT TANK IS USED
 DIMENSIONS IN THIS DWG
 NEED TO BE REVISED.

SECTION
 SCALE: 3/4"=1'-0"

ELEVATION
 SCALE: 3/4"=1'-0"



STRUCTURE ASSEMBLY



AXON

