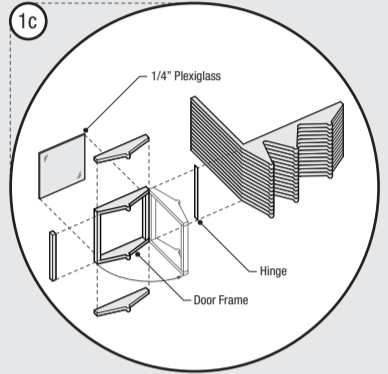
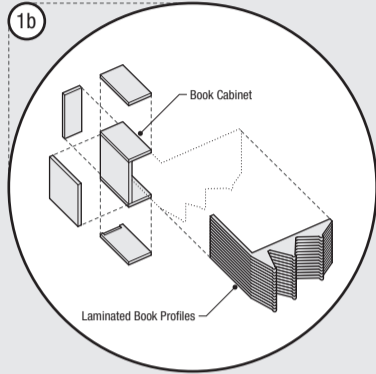
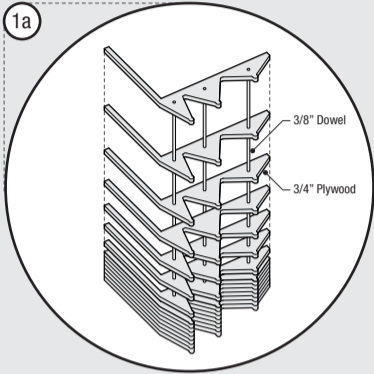


Make your own Little Free Library!

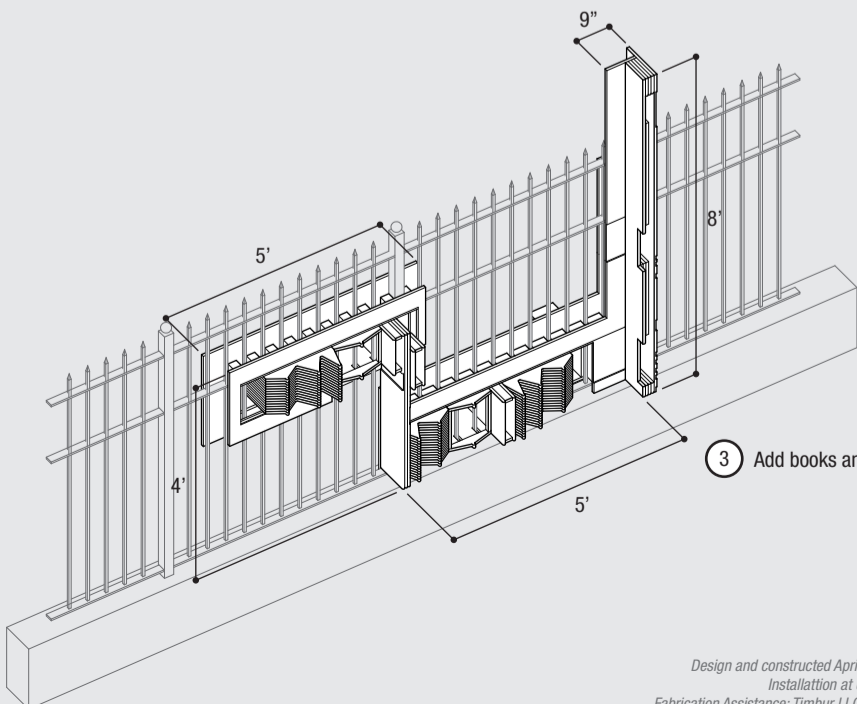
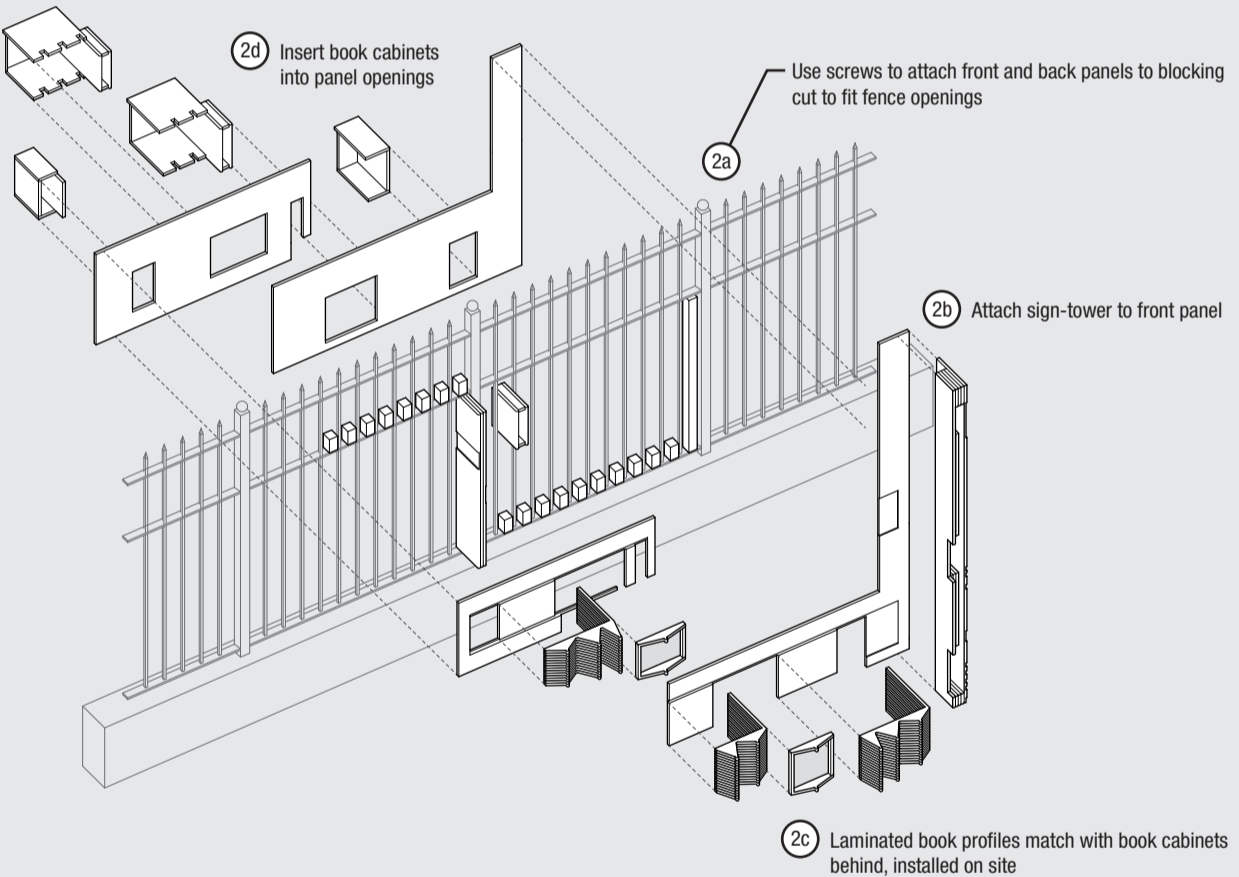
Materials:

- 1 shop containing: table saw, chop saw, jig saw, router, drill press, hand sander, grinder, clamps, various hand tools
- 1 computer-numerically-controlled milling machine
- 6 sheets of 3/4" exterior-grade plywood
- 1 gallon exterior-grade wood glue
- 2 gallons wood sealer
- 1", 2 1/2", 3" galvanized wood screws
- 2 12"x12" sheets of 1/4" plexiglass
- 48" 3/8" wood dowel
- 24" piano hinge

- 1 Off-site assembly:
- 1a: Unfolded book profiles are laminated
 - 1b: Book Cabinets are constructed, leaving one side open
 - 1c: Door Frames are constructed, hinge attached on-site



- 2 On-site assembly:



- 3 Add books and enjoy!